

Presence detector - Professional Line

IS 3360

COM1 - in-ceiling installation, rd. white

EAN 4007841 079659

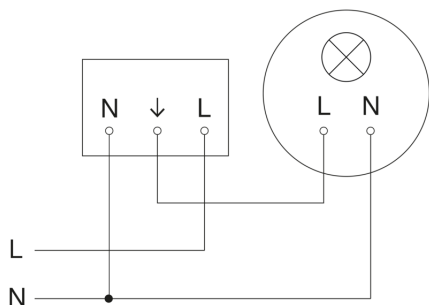
Article number 079659



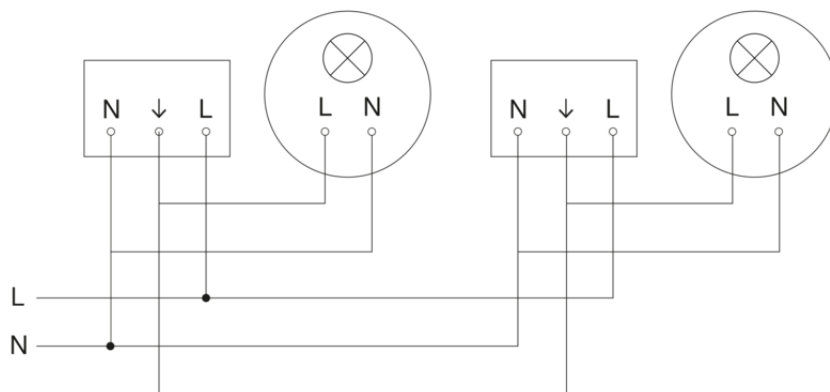
IS 3360

COM1 - in-ceiling installation, rd. white
EAN 4007841 079659
Article number 079659

Circuit diagram



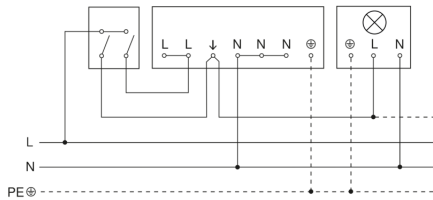
Circuit diagram for interconnecting several sensors



IS 3360

COM1 - in-ceiling installation, rd. white
EAN 4007841 079659
Article number 079659

Connection using two-circuit switch for manual and automatic operation



Circuit diagram Connection via a changeover switch for continuous and automatic operation

